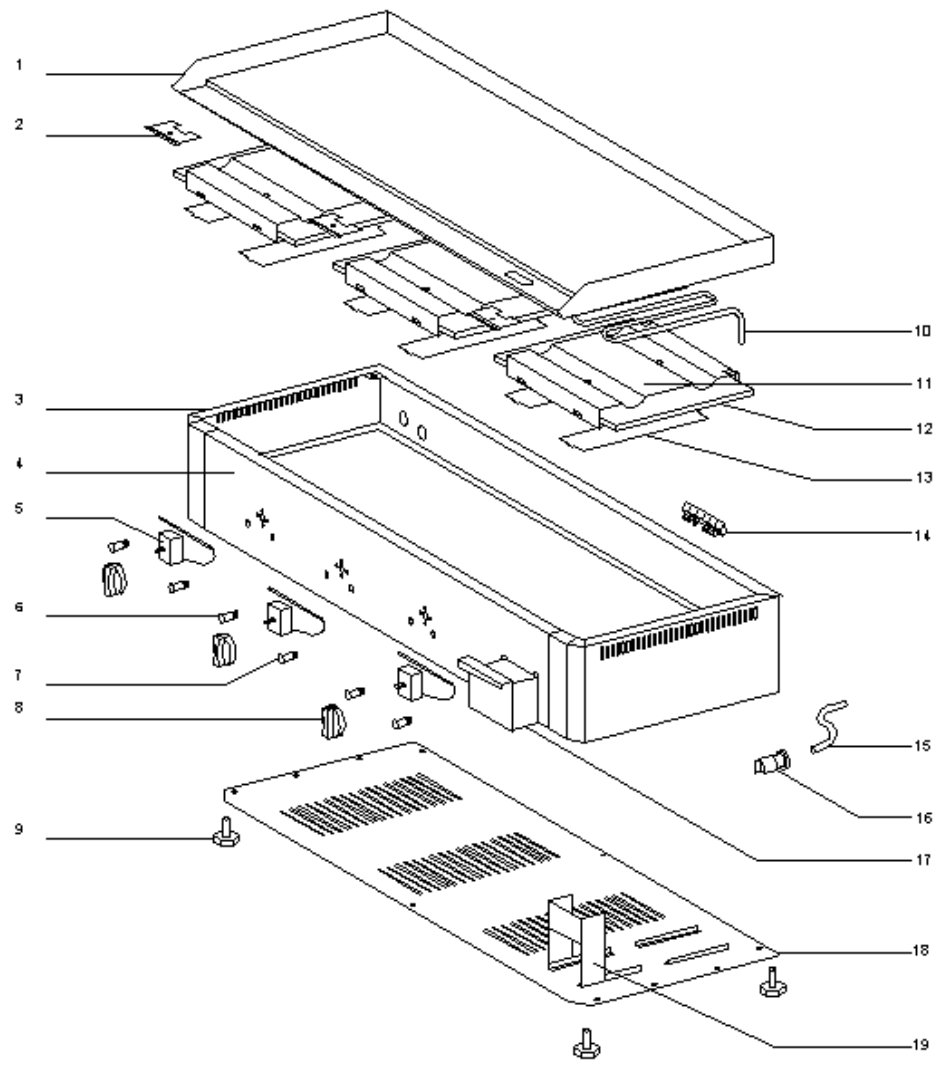


**INSTRUCTIONS FOR USE AND INSTALLATION  
GRIDDLE PLATES  
PSR 400 E / PSR 600 E / PSR 900 E**



**Made in France**



# ELECTRIC GRIDDLE PLATES

## PSR 400 E / PSR 600 E / PSR 900 E

Nomenclature **PSR 900 E**  
Spare parts **PSR 900 E**

Congratulations for the acquisition of this upmarket appliance made in France. You chose an appliance which alloys the best technical qualities with a big user-friendliness. We wish you the biggest contentment

### 1. SECURITY INSTRUCTIONS

Please respect these instructions scrupulously to avoid any risk of fire, electric shock, scald or other wounds and damage. During the use of this appliance, fundamental circumstances of security must always be noticed, such as:

- Take into account the instructions to be systematically kept with the appliance.
- Install the appliance always in instructions respect. A 10 cm distance minimum with the partition or the wall is necessary.
- Protect the appliance from direct light of the sun, frost and humidity.
- Never leave the appliance within the reach of children or disabled persons without surveillance.
- Never move the appliance when it is working or when the surfaces of cooking are still hot.
- Check that the appliance is definitely off before connecting it up or disconnecting it.
- Do not touch the hot surfaces of the appliance. The temperature of the hot surfaces can be very important when the appliance is working. Always use handles and control knobs.
- Do not use the appliance for other functions than determined use.
- Do not leave the cord of electrical feeding in the contact of hot surfaces.
- The appliance should not be used close to combustible materials.
- During use, look after not to obstruct hearings of aeration of the appliance
- To avoid any electric shock, never plunge the appliance, the cord or plug in water or quite other liquid.
- If the cord is harmed, it must be replaced by the producer, his after sale service or persons of similar skills to avoid any risk.
- Entrust compensations only to a skilled person.
- Use only spare parts of origin.
- At the end of cooking, before cleaning the appliance, do not forget to disconnect it.

Rep	Code	Qty	Pièce	Spare part
1	53129SE	1	Cadre + plaque acier	Frame and steel plate assembly
2	65008	3	Support thermostat	Thermostat holder
3	53127	1	Ceinture	Casing
4	53130	1	Bandeau	Front panel
5	A06032	3	Thermostat	Thermostat
	A01021	3	Commutateur	Commutator
6	A08003	3	Voyant orange	Orange pilot light
7	A08009	3	Voyant vert	Green pilot light
8	A14113	3	Bouton	Knob
9	A13012	4	Pied	Foot
10	D02105	3	Résistance blindée	Heating element
11	53077	3	Serre résistance	Element holder
12	H02047	1.5	Isolant	Insulation
13	53058	6	Blocage isolant	Insulation block
14	A16014	1	Bornier 6 plots	Six holes domino
15	C01045	1	Cable	Cord
16	A10032	1	Serre cable	Cord closer
17	53164SE	1	Bac à sauce	Drip tray
18	53128	1	Fond socle	Bottom casing
19	53116	1	Ecran protection sauce	Sauce protection screen

## **2. CONTENTS OF CARDBOARD PACKAGING**

Device: a griddle plate

Accessorie: The present note

See exploded views for PSR 400 E / PSR 600 E / PSR 900 E at the end of the document

## **3. CONFORMITY OF USE**

Use the device only to cook meat, bacon, fish, hamburgers, sausages, onions, shell-fishes, vegetables..., and also for fried eggs and omelettes...

## **4. WAY OF FUNCTIONING**

This griddle plate is fitted with steel plate (10 mm deep). The plate's smooth surface provides direct heat transfer to the food being cooked, without heat loss at the centre as in the periphery thanks to incoloy heating elements (1 for PSR 400 E, 2 for PSR 600 E and 3 for PSR 900 E ) that cover the entire cooking surface.

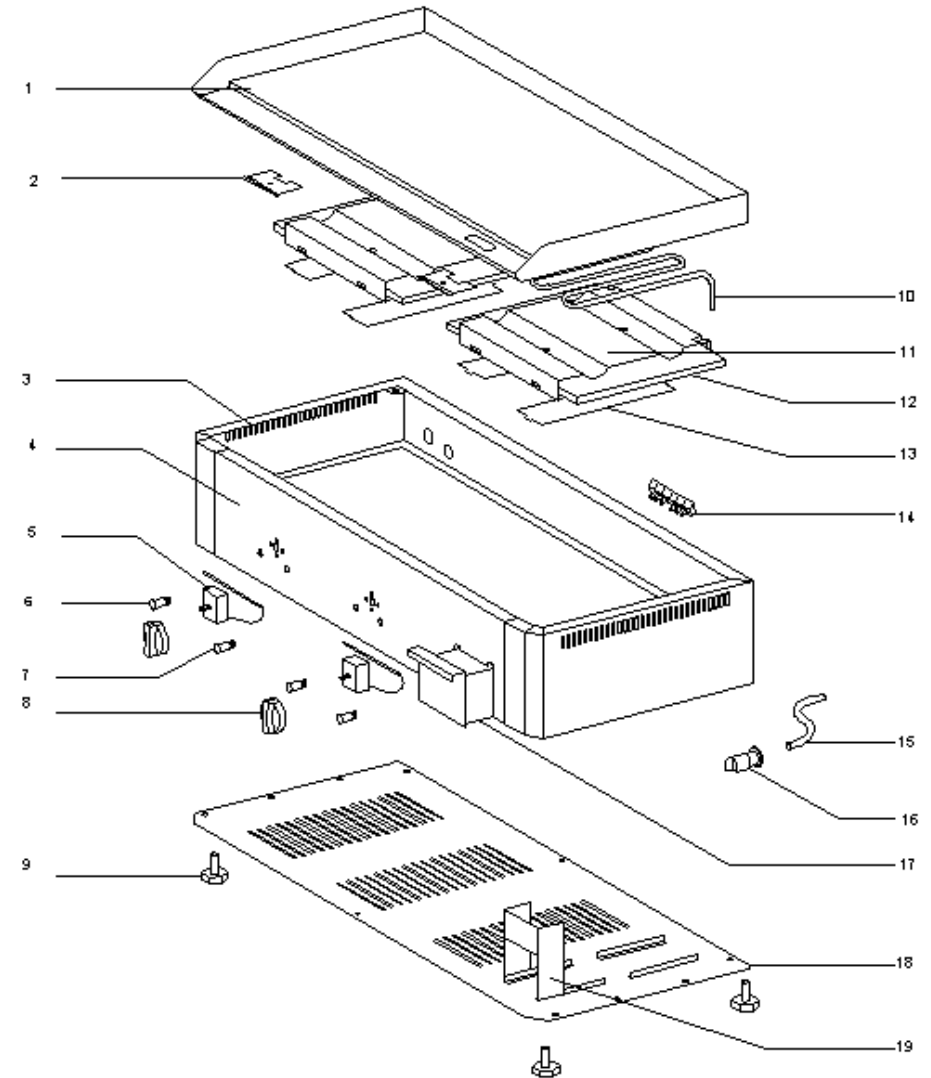
To turn on and preheat the plates, just turn the thermostat control knob (n°3 on picture) on the wished position. The green pilot light ignites (n°1 on picture), the device is on and the orange pilot light ignites (n°2 on picture), plate is heating. When orange pilot light switches off, the device is ready for the cooking.

During cooking, the temperature can be regulated thanks to thermostat control knob (n°3 on picture) to avoid phenomenon of overheating. Orange pilot light indicates heating periods.

Meat is cooked at a temperature around 250° - 300°C.

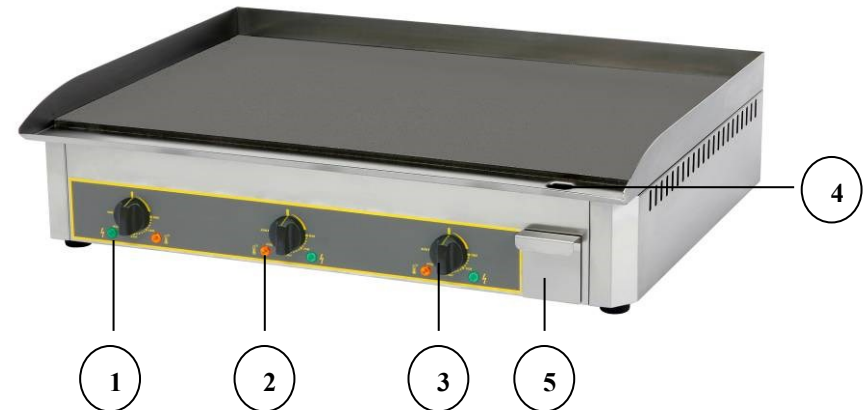
Your machine is fitted with a removable juice collector tray (n°5 on picture) for the evacuation of cooking juices and fat. It must be regularly emptied. It is recommended to pour some water into the drip tray at the beginning of cooking to facilitate the cleaning and avoid the solidification and the accumulation of fat in the drip tray

Never use the machine without the collector tray (n°5 on picture).



Nomenclature **PSR 600 E**  
Spare parts **PSR 600 E**

Rep	Code	Qty	Pièce	Spare part
1	53113SE	1	Cadre + plaque acier	Frame and steel plate assembly
2	65008	2	Support thermostat	Thermostat holder
3	53111	1	Ceinture	Casing
4	53118	1	Bandeau	Front panel
5	A06032	2	Thermostat	Thermostat
	A01021	2	Commutateur	Commutator
6	A08009	2	Voyant vert	Green pilot light
7	A08003	2	Voyant orange	Orange pilot light
8	A14113	2	Bouton	Knob
9	A13012	4	Pied	Foot
10	D02105	2	Résistance blindée	Heating element
11	53077	2	Serre résistance	Element holder
12	H02047	1	Isolant	Insulation
13	53058	4	Blocage isolant	Insulation block
14	A16014	1	Bornier 6 plots	Six holes domino
15	C01045	1	Cable	Cord
16	A10032	1	Serre cable	Cord closer
17	53164SE	1	Bac à sauce	Drip tray
18	53112	1	Fond socle	Bottom casing
19	53116	1	Ecran protection sauce	Sauce protection screen



- 1 On/off pilot light  
2 Thermostatic pilot light  
3 Thermostat / commutator  
4 Outlet for juices and fats  
5 Juice collector tray

## 5. FUNCTIONING / MANIPULATION

### a) Installation / assembly:

- Unpack carefully the device of its packaging.
- Place the griddle plate on a plane and heatproof surface.
- Never place the device near a wall or near a partition makes of combustibles materials even if it is very well isolated.
- A distance of minimum 10 cm with the partition or the wall is necessary.
- Remove the protective film around the machine without forgetting the one on the drip tray (n°5 on picture).

### b) First starting:

During the first use, warm your machine up outside during about 30 min to evacuate residual smokes of manufacturing oil from the metallic parts. This may emit a slight smell for a few moments.

## First cleaning

Clean the device before the first use. (See 6 Cleaning)

## Connection of the device

- Check that the tension and the frequency of the electricity network suit to the values indicated on the descriptive plate.
- Make sure that every control knob is positioned on 0.
- Check that neither the cord nor the plug are damaged
- Unwind completely the electric power cable and connect it in a plug connected with the earth.
- The device is connected.

NB: in case of connection of the device in a plug without earth protection or directly on the electricity network, confide its connection to a qualified person .

## c) Use of device :

### Elements of command and display

Command/Display	Function
Thermostat (n°3 on picture)	On/off + Temperature setting
Green pilot light (n°1 on picture)	Machine on (pilot light on) Machine off (pilot light off)
Orange pilot light (n°2 on picture)	Machine is heating (pilot light on) Temperature reached (pilot light off)

### Never use the machine without its drip tray (n°5 on picture).

### Putting on

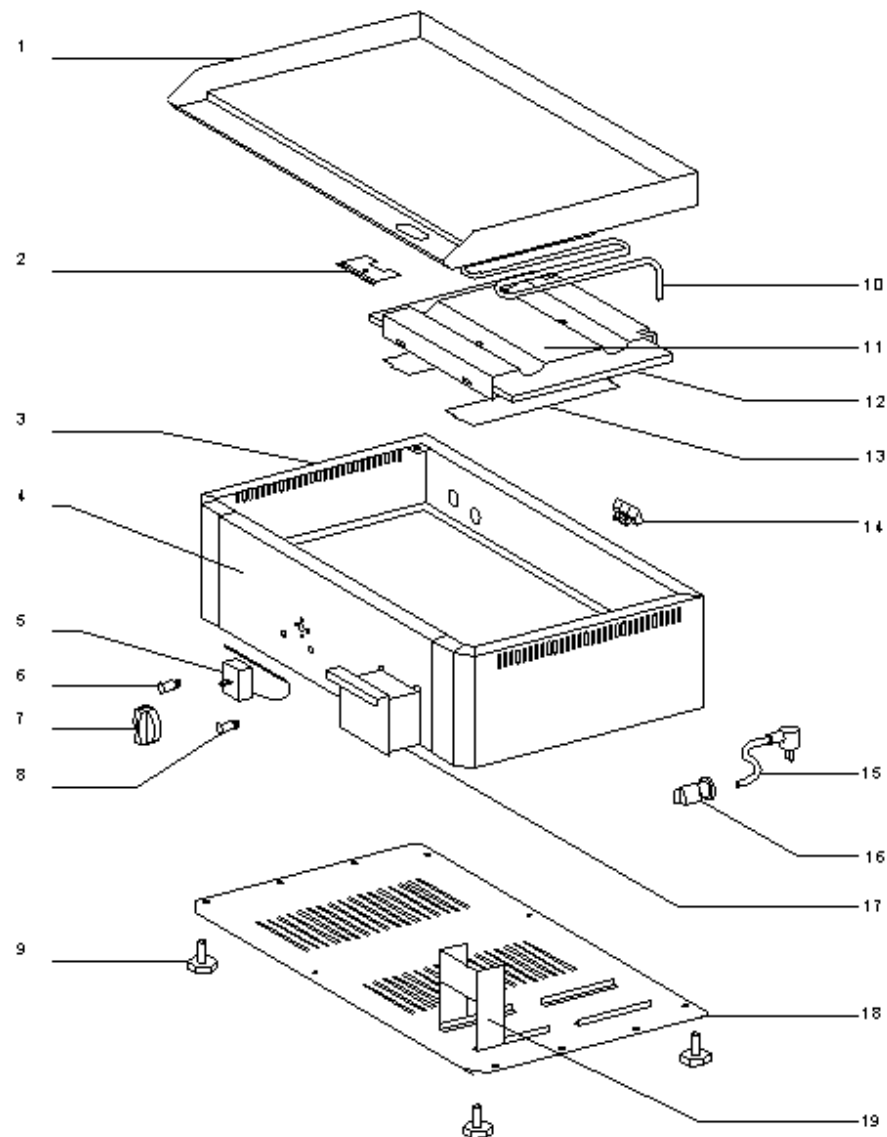
Turn on the thermostat control knob (n°3 on picture) on the wished position: the green pilot light (n°1 on picture) and the orange pilot light (n°2 on picture) ignite. The machine is warming up. Once orange pilot light (n°2 on picture) is off, the machine reached the wished temperature. Grease the plates before each cooking.

### Temperature setting

Set the temperature by positioning the thermostat (n°3 on picture) to the desired temperature. The orange pilot light (n°2 on picture) switches on if a higher level of temperature is required and switches off when the same is reached.

**It is not necessary to leave the device switched on at full power. It is necessary to adapt the temperature to products to be cooked to limit the energy consumption.**

**If your food sticks on the plate, reduce the temperature of the thermostat**



Nomenclature **PSR 400 E**  
Spare parts **PSR 400 E**

Rep	Code	Qty	Pièce	Spare part
1	53120SE	1	Cadre + plaque acier	Frame and steel plate assembly
2	65008	1	Support thermostat	Thermostat holder
3	53121	1	Ceinture	Casing
4	53122	1	Bandeau	Front panel
5	A06032	1	Thermostat	Thermostat
	A01021	1	Commutateur	Commutator
6	A08009	1	Voyant vert	Green pilot light
7	A14113	1	Bouton	Knob
8	A08003	1	Voyant orange	Orange pilot light
9	A13012	4	Pied	Foot
10	D02105	1	Résistance blindée	Heating element
11	53077	1	Serre résistance	Element holder
12	H02048	1	Isolant	Insulation
13	53058	2	Blocage isolant	Insulation block
14	A16013	1	Bornier 3 plots	Three holes domino
15	C03007	1	Cordon avec prise	Cord with plug
16	A10032	1	Serre cable	Cord closer
17	53164SE	1	Bac à sauce	Drip tray
18	53123	1	Fond socle	Bottom casing
19	53116	1	Ecran protection sauce	Sauce protection screen

### Stopping the appliance

Set each control knob (n°3 on picture) on 0: the green pilot light (n°1 on picture) switches off. The appliance is no longer functioning.

Let the device cool.

Disconnect the power cable.

Clean the appliance. (see 6. Cleaning)

### d) Breakdown / repair:

In case of breakdown or of damaged part, please call your after-sales service and confide any technical operation to qualified person.

When you contact the after-sales service of your distributor or your store, give him the complete reference of your device (commercial name, type and serial number). This information appears on the visible descriptive plate behind the device.

## 6 CLEANING AND MAINTENANCE

Disconnect the device.

### The plate is still hot:

- Drain most of the fats and cooking juice with the wooden spatula towards the outlet (n°4 on picture) in front of the plate.
- Let the plate cool down and clean it with warm soapy water and a slightly abrasive pad. Collect the cooking residues in the drip tray (n°5 on picture).
- Then use some white vinegar to neutralize the cooking smells.
- Finally, wipe the plate before putting it away or using it again.

**Do not put ice cubes or other on the plate that is still hot (deglazing), which may lead to a violent thermal shock, permanent damage and coloration of the plate.**

### The plate is cold:

- Clean the plate with a wet sponge and some dishwashing liquid.
- Wipe the plate with a soft and clean cloth.
- Remove and empty the tray (n°5 on picture) filled with fats and cooking juice.
- Clean the tray (n°5 on picture) with a wet sponge and some dishwashing liquid (can also be washed in a machine) and wipe.
- After the tray (n°5 on picture) dries, put it back in the appliance.
- Clean the outer case of the appliance without using any abrasive product.
- Never clean the appliance under a water jet, the infiltrations may cause irreparable damage to the appliance.
- Never immerse the appliance, cord or plug in water or any other liquid to avoid any electric shock.

**Attention to the capacity of the drip tray (No.5 in the photo): consider emptying it regularly, any overflowing inside the appliance may cause irreparable damage.**

During a prolonged non-use, we recommend you strongly to keep the device shielded from the humidity .

## **7. TECHNICAL SPECIFICATIONS**

<b>Models</b>	PSR 400 E	PSR 600 E	PSR 900E
<b>Outside dimensions</b>	400x475x230 mm	600x475x230 mm	900x475x230 mm
<b>Cooking surface</b>	400x400 mm	600x400 mm	900x400 mm
<b>Weight</b>	19 Kg	29 Kg	39 Kg
<b>Power</b>	3000 W	2 x 3000 W	3 x 3000 W
<b>No element</b>	1	2	3
<b>Current</b>	13 A	13 A / Phase	13 A / Phase
<b>Voltage</b>	220-240 V ~	380-415 V 3 N ~	380-415 V 3 N ~

Wires colours correspondence

Phase 1	Brown
Phase 2	Black
Phase 3	Grey
Neutral	Blue
Earth	Yellow-Green



The equipotential connection marked by this symbol must be linked with the equipotential conductive connection of your installation by means of a minimum conduction of a 2.5 mm<sup>2</sup> section.

## **8. NORMS AND LEGALS DISPOSALS**

The device is conform to :

IEC/EN 60335-1  
IEC/EN 60335-2-38  
EN 55014-1 + 55014-2  
EN 61000-3-2 + 61000-3-3

## **9. ELIMINATION OF THE ELECTRIC AND ELECTRONIC WASTE**

The device respects the directives:

2002/96/CE ( DEEE)      N°34270064800021  
2002/95/CE ( ROHS)  
2066/95 CE  
2004/108 CE



Humidity protection degrees IPX4, in conformity with the norm 60335-2-38 (2008)

## **Reach rule**

Never put the device among household waste.

The device must be put down in a centre of recycling for the electric equipments.

The materials of the device are indeed reusable. By eliminating correctly the electric and electronic wastes, the recycling and quite other shape of re-use of worn equipments, you participate in a significant way in the environmental protection.

For any information about the collection of electric and electronic waste, please contact your distributor.

## **10. GUARANTEE**

### **Conditions of guarantee**

The guarantee applicable to any device is the commercial guarantee of the distributor or the retailer. Please contact the store where you bought your device to know the precise conditions.

The guarantee grants no right for damages.

The dispositions which follow are not exclusive of the profit of the legal guarantee planned by articles 1641 and following ones of the Civil code relative to the defects and the latent defects.

### **Exclusion clauses of the guarantee**

**Bad installation and bad maintenance, in particular if they do not respect current regulations or instructions appearing in this user guide. Any violent thermal shock leading to irreparable damage of the plate is not covered by the warranty. (Deglazing = sudden cooling with ice cubes and cold water when the plate is still hot after cooking).**

Cannot benefit from the guarantee the repairs required as a result of false operations, of inappropriate use, of carelessness or of excess loads of the device, as well as those resulting from variations of the power supply, over tension or from defective installations.

The damage due to shocks, bad weather is not flatware by the guarantee. The material travels at the risks of the user; in case of delivery by carrier, the consignee has to have reservations towards the carrier before any delivery of the device.

The guarantee comes to an end in case of intervention, of repair, of modification by no qualified persons, or of use in inappropriate purposes.